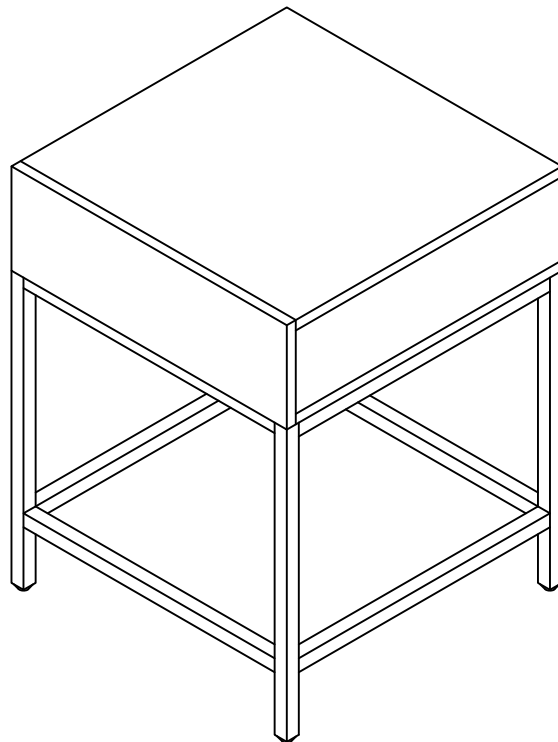
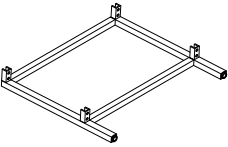
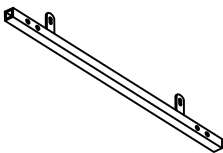
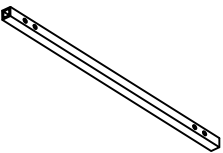
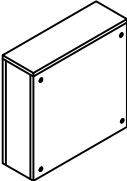




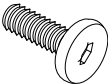
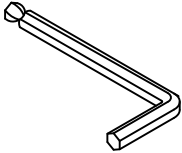
End Table
CF1314



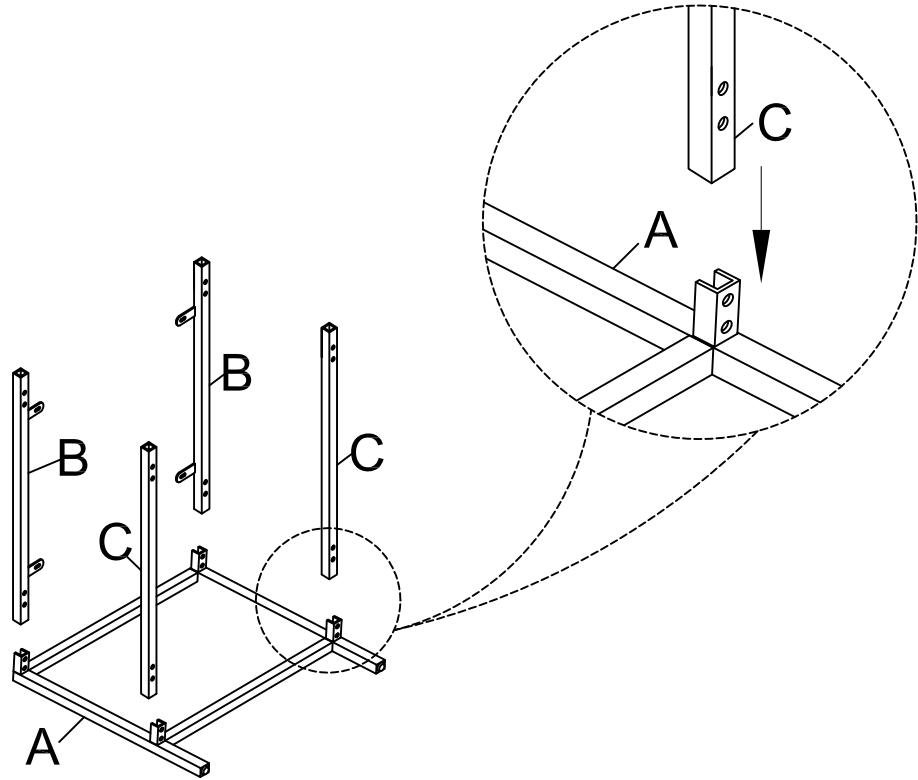
PART LIST

<p>A</p> 	<p>B</p> 	<p>C</p> 	<p>D</p> 
<p>Side Frame 2 PCS</p>	<p>Top Cross Rail 2 PCS</p>	<p>Bottom Cross Rail 2 PCS</p>	<p>Top 1 PC</p>

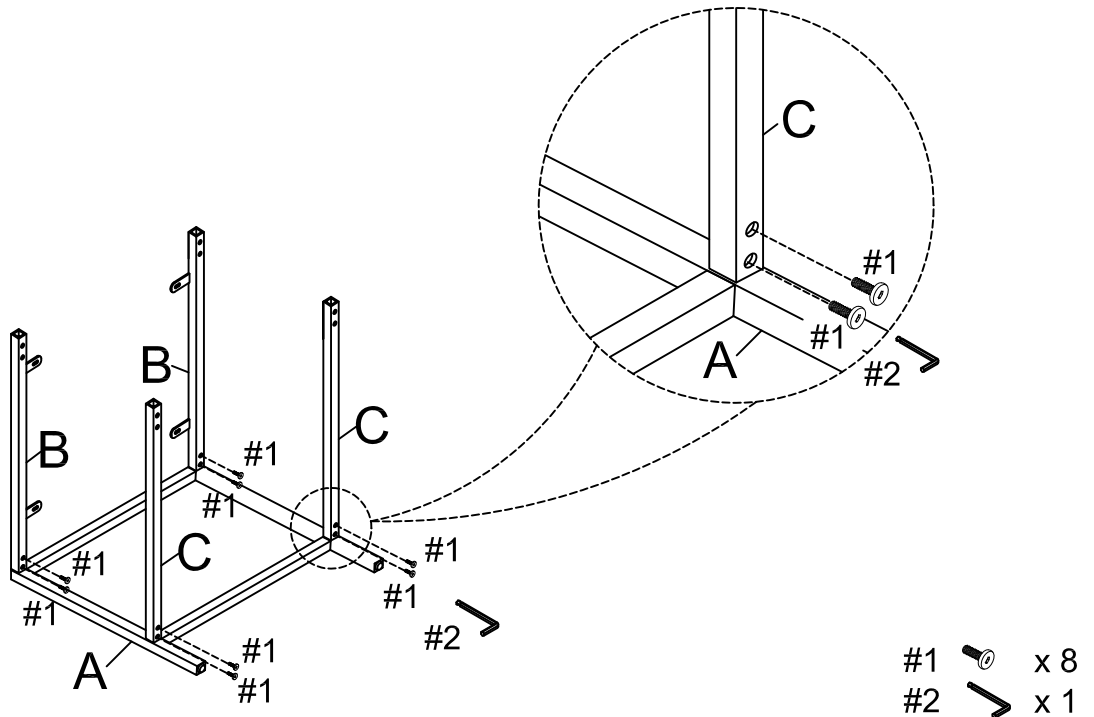
HARDWARE LIST

<p>#1</p>  <p>1/2"*Ø1/4"*D11</p>	<p>#2</p> 
<p>Bolt 20 PCS (Extra 1)</p>	<p>Allen Wrench 1 PC</p>

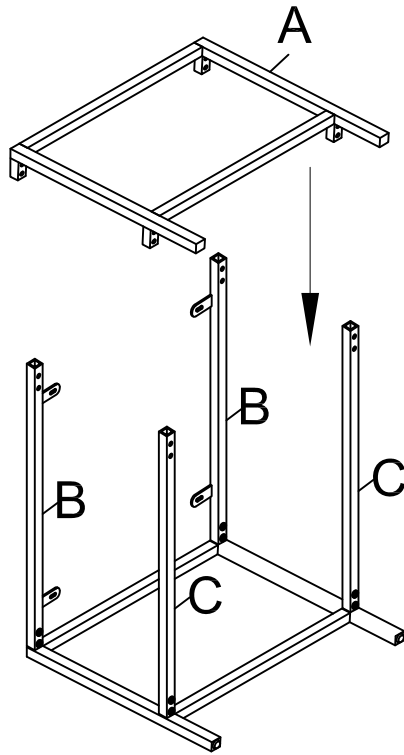
Step 1. Insert cross rails (parts B & C) into side frame (part A).



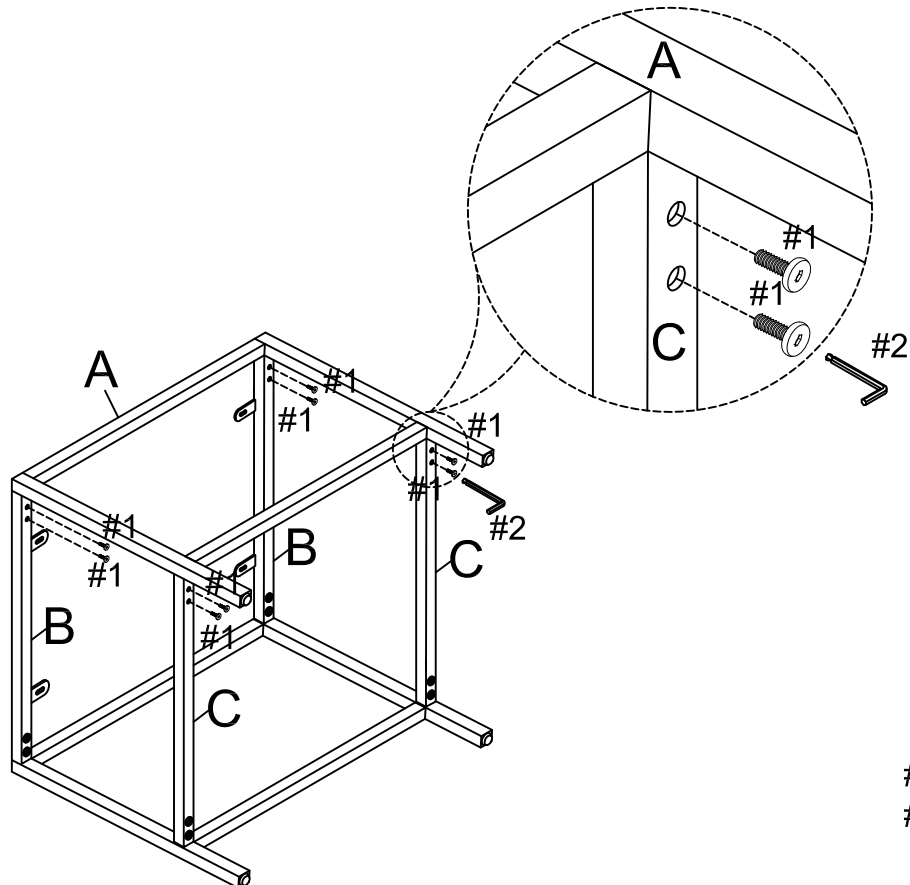
Step 2. Secure cross rails (parts B & C) and side frame (part A) using bolts (part #1) and allen wrench (part #2).





Step 3. Insert side frame (part A) into cross rails (parts B & C).



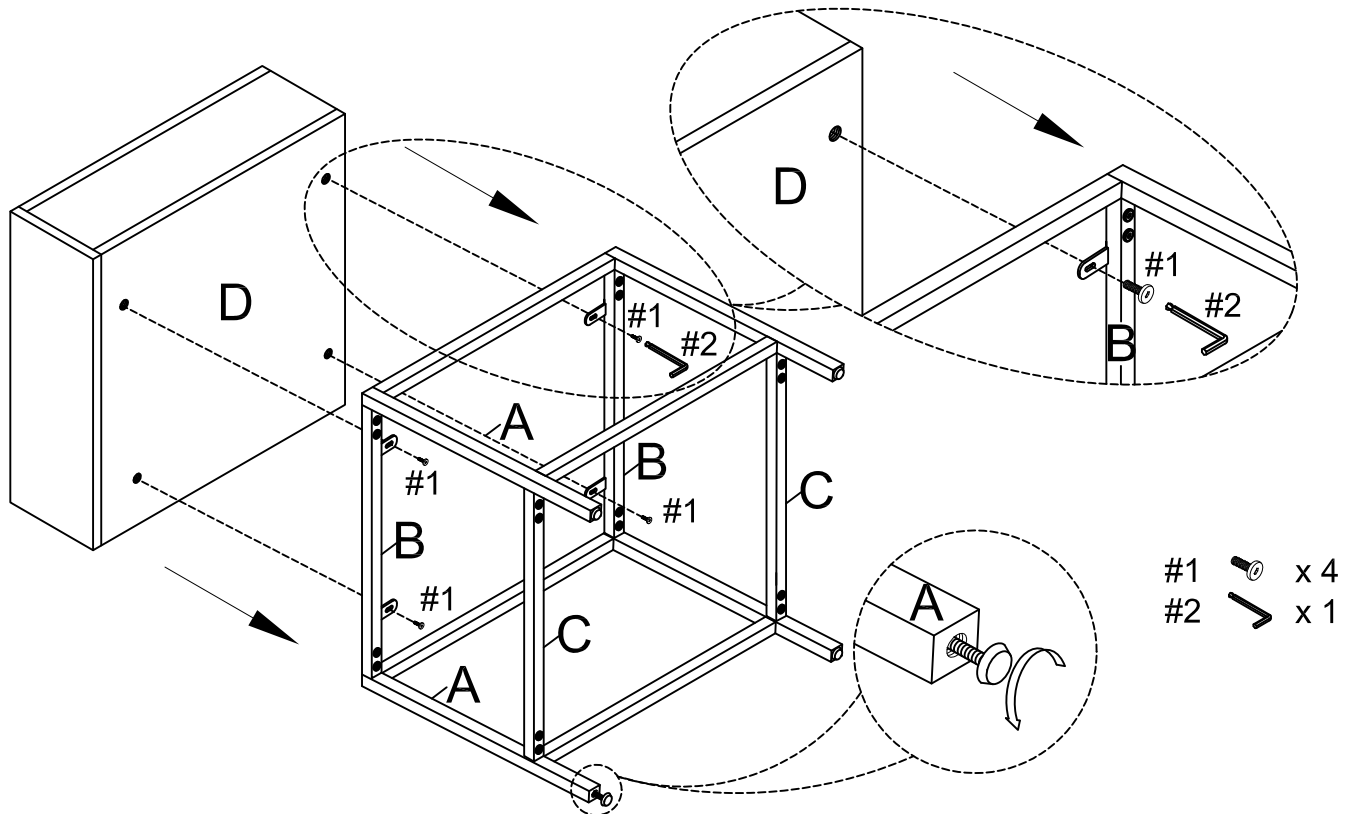
Step 4. Secure the assembled unit (parts A, B & C) using bolts (part #1) and allen wrench (part #2).



#1  x 8
#2  x 1

Step 5. Attach assembled unit (parts A, B & C) to top (part D) using bolts (part #1) and allen wrench (part #2).

NOTE: It is important to adjust levelers once fully assembled and upright. Extend adjustable leveler until it's firmly in contact with the floor. If relocating, adjust leveler as needed until it's firmly in contact with the floor in new location.



Step 6. Carefully turn unit upright.

